

G2420 2 Way Travel 1/2 Extension Slide

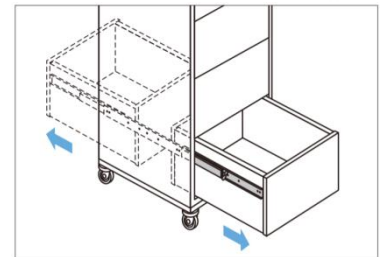
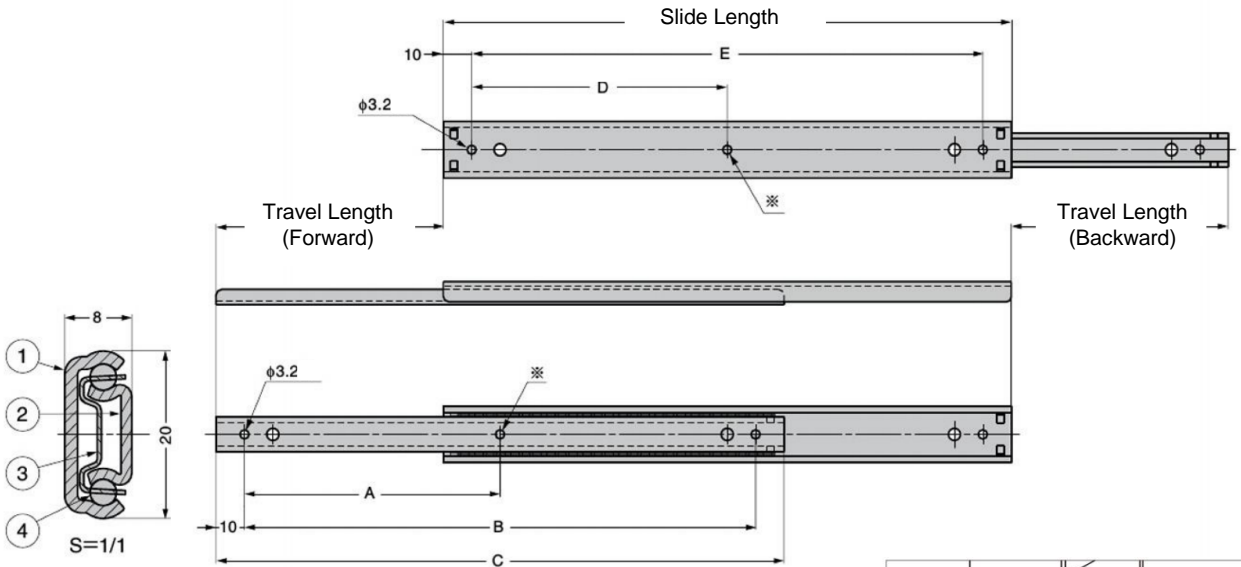
Max load 21 kg · 2 way travel

Features

- 1/2 extension, 2 members slide
- Two way travel provides access from both sides of installation

Recommended Screws

- M3 binding, M3 truss screw or M3 round head screw



No.	Part Name	Material	Finish/Colour
①	Outer Member	Steel(SPCC)	Clear Zinc Chromate (Trivalent)
②	Inner Member		
③	Retainer	Steel (SECC)	(Zinc Plating)
④	Steel Balls	Steel(SWCH)	-

Sold by piece

Part No.	Slide Length	Forward Travel Length	Backward Travel Length	A	B	C	D	E	Load Capacity (per pair)	
G2420-70	70	15	15	-	50	70	-	50	147 N	15 kg
G2420-100	100	30	25		80	100		80	167 N	17 kg
G2420-150	150	45	45		130	150		130	186 N	19 kg
G2420-200	200	80	75	90	180	200	90	180	206 N	21 kg